



TZ-82P Rotary Jet Head - Portable

Fast, Effective Impact Cleaning

Application

The Toftejorg TZ-82P portable rotary jet head provides 3D indexed impact cleaning over a defined time period. It is automatic and represents a guaranteed means of achieving quality from cleaning tanks. Storage and transportation tanks up to 3,000 m³. Used in petro-chemicals and chemical processing industries.

Working principle

The flow of the cleaning fluid makes the nozzles perform a geared rotation around the vertical and horizontal axis. In the first cycle, the nozzles lay out a coarse pattern on the tank surface. The following cycles make the pattern gradually more dense until a full pattern is reached after 4 cycles.



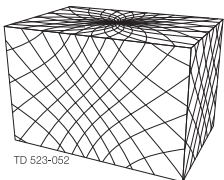
TECHNICAL DATA

Lubricant: Self-lubricating with the cleaning fluid
 Standard Surface finish: Ra 0.5µm exterior
 Flow rate: 8-23 m³/hour

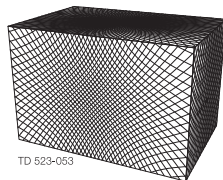
Pressure

Working pressure: 5 - 12 bar
 Recommended pressure: 5 - 10 bar

Cleaning Pattern



First cycle



Full pattern

PHYSICAL DATA

Materials

316L (UNS S31603), Duplex steel (UNS S21800), PTFE, PEEK, EFTE

Temperature

Max. working temperature: . . . 95°C

Weight 6.6 kg

Connections

Standard thread: 1 1/2" Rp (BSP) / 1 1/2" NPT

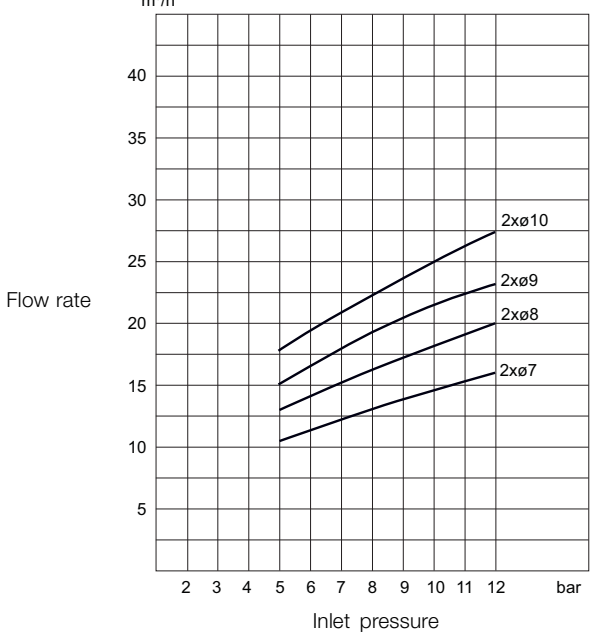
Certificates

2.1 material certificate and ATEX.

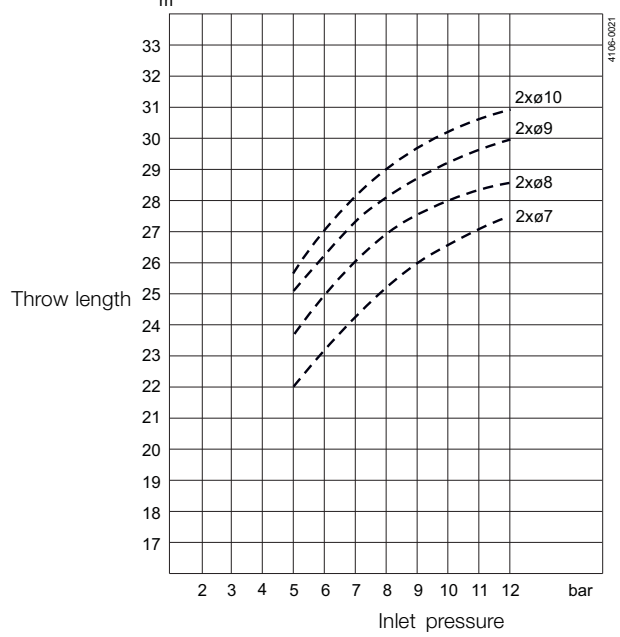
Options

Hose saddle, deck cover plate, hose winch extension pipe etc. are available.

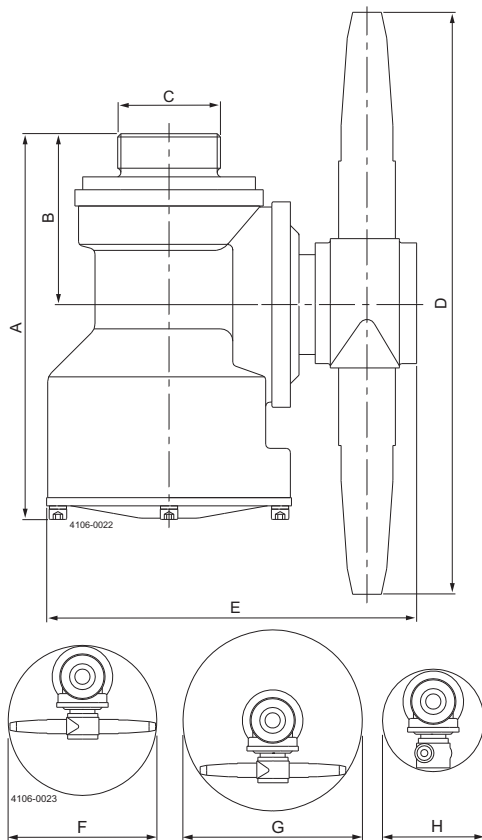
Flow Rate Nozzles mm



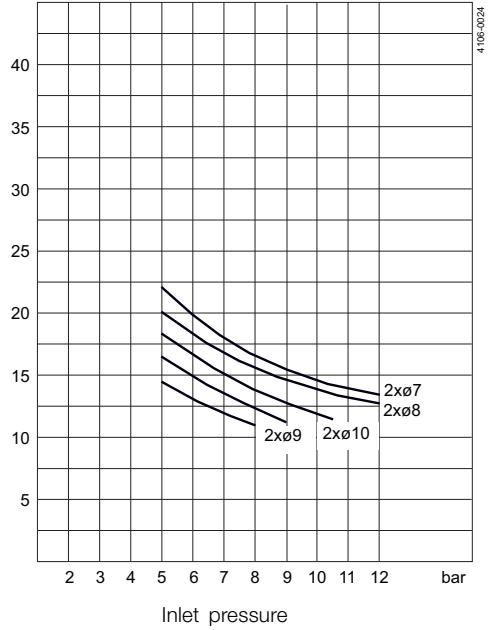
Horizontal Throw Length
(Wetting radius) at Static Conditions Nozzles mm



Dimensions (mm / inch)



Cleaning Time, Complete Pattern
Min. RPM of machine body Nozzles mm



A	B	C	D	E	F	G	H
186	82	1½" RP (BSP) / NPT	270	174	ø274	ø333	ø176

Alfa Laval reserves the right to change specifications without prior notification.

How to contact Alfa Laval

Contact details for all countries are continually updated on our website. Please visit www.alfalaval.com to access the information direct.