

# 10 TOP TIPS

## to keep your Alfa Laval LKH Pump in tip top condition

1

Make regular service and maintenance to be able to perform optimally.

2

Check the pump visually on a regular basis to ensure that you discover maintenance needs early when they are easy to solve.

3

Schedule preventative maintenance after 12 months to avoid unscheduled downtime and to maximize lifetime and value.

4

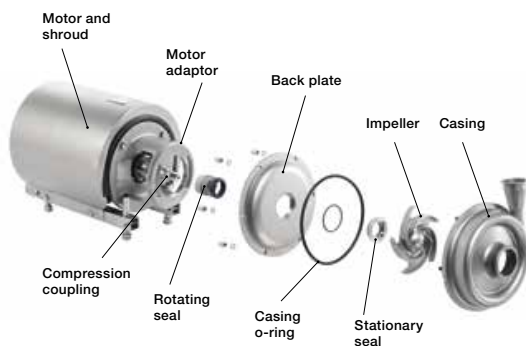
Check to ensure that the Alfa Laval LKH Pump is operating in accordance with recommended design parameters.

5

Observe the technical data during installation, operation and maintenance and pay special attention to the warnings indicated in the documentation!

6

Check to make sure water has been connected so that the shaft seal does not run dry. Dry running will damage the shaft seal and could lead to a damaged pump.



7

Always rinse well with clean water after using a cleaning agent.

8

If design parameters change, e.g. capacity/ pressure/ new liquid check in the Alfa Laval Configurator or with Alfa Laval if the pump is still suitable for the application.

9

Always keep an Alfa Laval service kit in stock to avoid unplanned downtime.

10

Watch Alfa Laval's 360° Service and Maintenance videos to learn how to perform simple maintenance on your Alfa Laval LKH pumps.

[www.alfalaval.us](http://www.alfalaval.us)